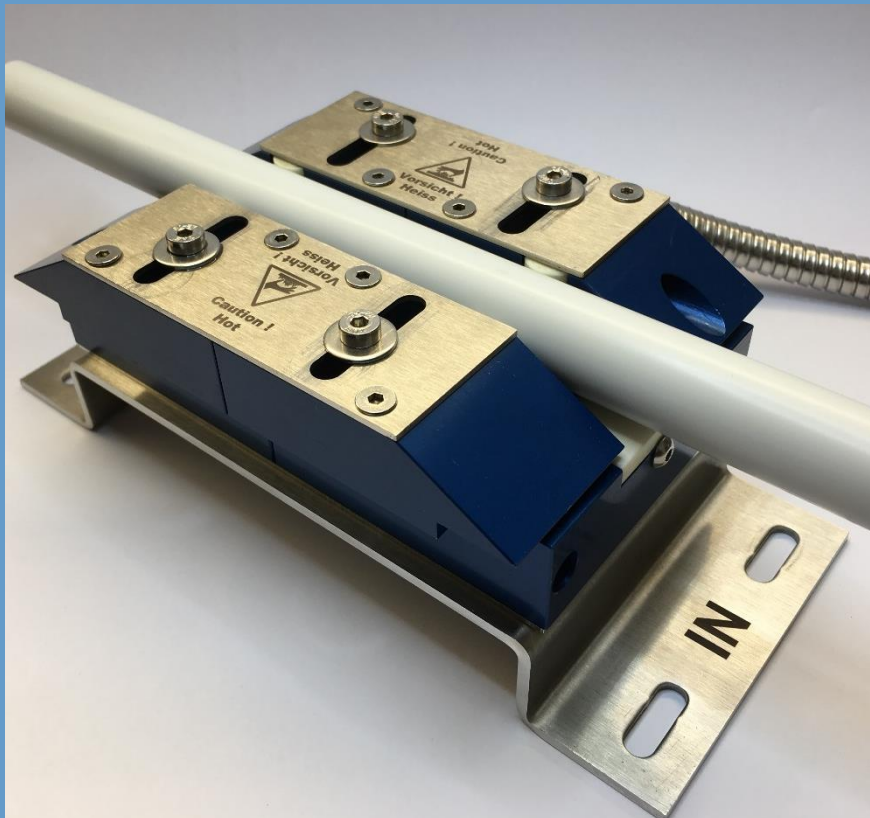


lune
CHF GmbH

Unique Contact-Free Temperature Measurement “Convective Heat Flow”

**MULTITEMP
ADJUSTABLE MEASUREMENT HEAD FOR
WIRES, CABLES ,TUBES, etc.**



www.lune-chf.com

LUNE CHF ----- MULTITEMP

The lune-CHF MULTITEMP allows contact-free and precise temperature measurement for all types of wire, cable, tube, etc. using the Convective Heat Flow (CHF) measurement principle (without optics).

Temperature range from 20° to 300° C (68° to 572° F).

The measurement is independent of influencing factors like colour, emission factor, speed, surface structure and varying distances between sensor and product.

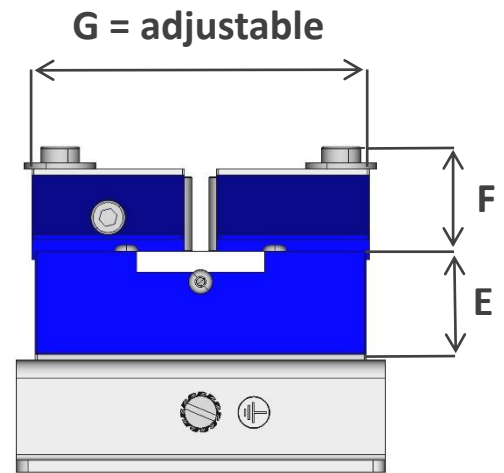
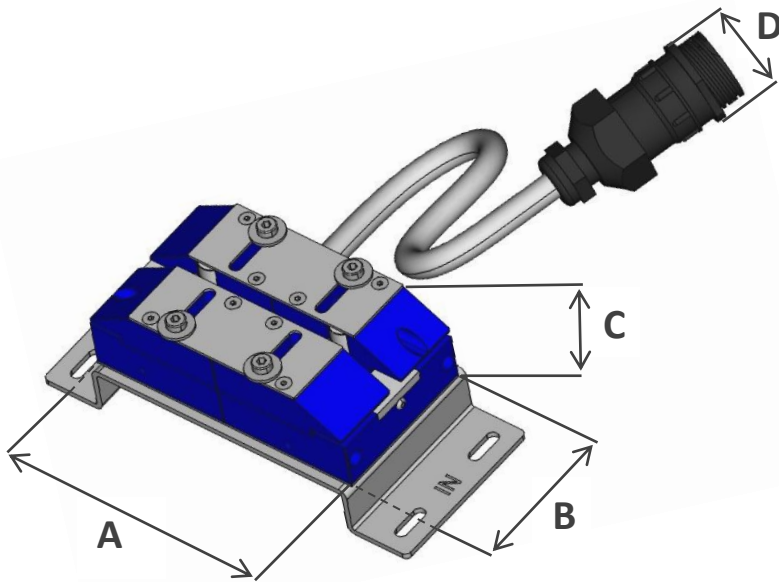
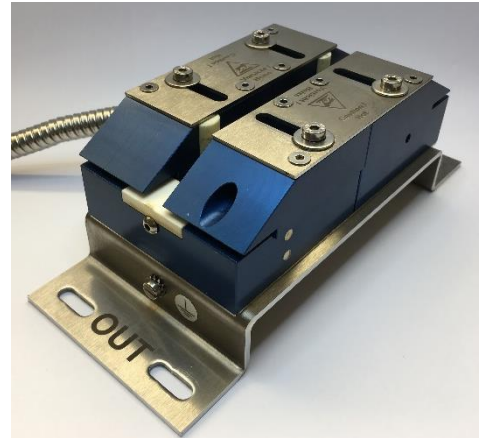
The double head design allows auto calibration of the system.

The MULTITEMP system needs very little maintenance and NO recalibration.

The measurement head also has adjustable side panels for varying product diameters.

Product diameter from \varnothing 3,6mm to \varnothing 100,0mm (0.14 to 3.94 inch).

Line speed up to 500 meter / min (1640 ft/min).



MLT	A	B	C	D	E	F	G
mm	152,0	82,5	53,5	47,1	27,5	26,0	84,5 - 138,0
Inch	5.98	3.25	2.11	1.85	1.08	1.02	3.33 - 5.43

	H	I	J	K	L
mm	92,0	218,0	28,0	56,5	194,0
Inch	3.62	8.58	1.10	2.22	7.63

Weight	2,0 kg (4.4 lbs)
--------	------------------

